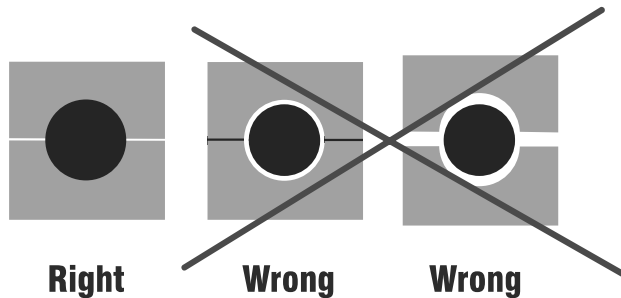
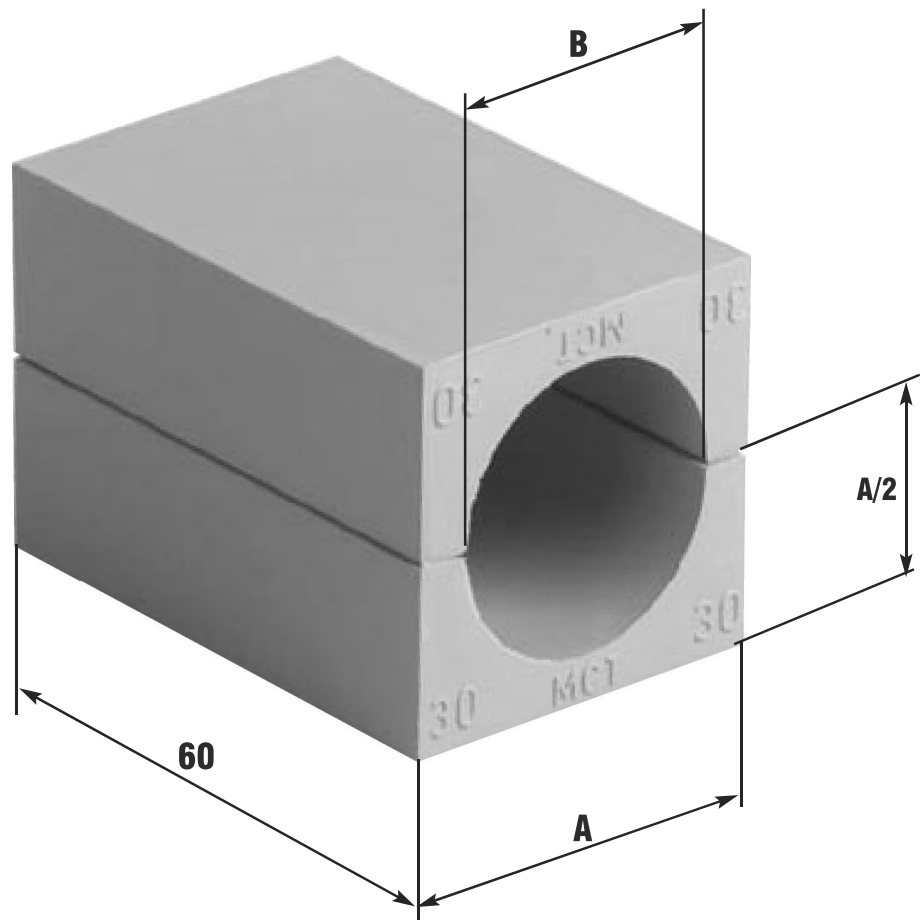


## Insert Blocks

Our range of Insert Blocks seal cables between 4 and 100mm in diameter. It is important that the insert block is the right size, with respect to the cable, to ensure a proper seal.

Measure the cable diameters carefully and select insert blocks according to the table.

Blocks are referred to by their width (A) and hole diameter (B). Thus a block with a width of 15mm and a hole diameter of 4mm is referred to as 15/4.



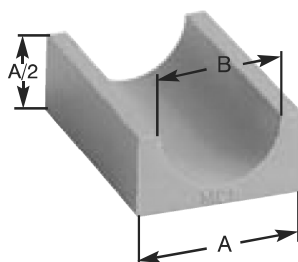
Cable/ Pipe Diam.mm	A							B
	15	20	30	40	60	90	120	
3.5 - 4.5	15/4	20/4						4
4.5 - 5.5	15/5	20/5						5
5.5 - 6.5	15/6	20/6						6
6.5 - 7.5	15/7	20/7						7
7.5 - 8.5	15/8	20/8						8
8.5 - 9.5	15/9	20/9						9
9.5 - 10.5		20/10						10
10.5 - 11.5		20/11						11
11.5 - 12.5		20/12	30/12					12
12.5 - 13.5		20/13	30/13					13
13.5 - 14.5		20/14	30/14					14
14.5 - 15.5		20/15	30/15					15
15.5 - 16.5		20/16	30/16					16
16.5 - 17.5			30/17					17
17.5 - 18.5			30/18					18
18.5 - 19.5			30/19					19
19.5 - 20.5			30/20					20
20.5 - 21.5			30/21					21
21.5 - 22.5			30/22	40/22				22
22.5 - 23.5			30/23	40/22				23
23.5 - 24.5			30/24	40/24				24
23.5 - 25.5				40/24				24
25.5 - 27.5				40/26				26
27.5 - 29.5				40/28				28
29.5 - 31.5				40/30				30
31.5 - 33.5				40/32	60/32			32
33.5 - 35.5				40/34	60/34			34
35.5 - 37.5					60/36			36
37.5 - 39.5					60/38			38
39.5 - 41.5					60/40			40
41.5 - 43.5					60/42			42
43.5 - 45.5					60/44			44
45.5 - 47.5					60/46			46
47.5 - 49.5					60/48			48
49.5 - 51.5					60/50			50
51.5 - 53.5					60/52			52
53.5 - 55.5					60/54			54

Weight In Grams						
15	20	30	40	60	90	120
10	18					
10	18					
10	17					
10	17					
9	16					
8	15					
	14					
	13					
	13	36				
	12	36				
	11	35				
	10	34				
	9	33				
		31				
		30				
		28				
		27				
		25				
		24	57			
		22	57			
		21	54			
			54			
			50			
			47			
			42			
			37	131		
			32	127		
				122		
				116		
				110		
				104		
				98		
				91		
				84		
				77		
				61		
				59		

**Insert Blocks For Cables/pipes 49.5 - 69.5 Diameter Now Only Available In Addblock Range (see page 32).**

69.5 - 71.5					90/70	70
71.5 - 73.5					120/72	72
73.5 - 75.5					120/74	74
75.5 - 77.5					120/76	76
77.5 - 79.5					120/78	78
79.5 - 81.5					120/80	80
81.5 - 83.5					120/82	82
83.5 - 85.5					120/84	84
85.5 - 87.5					120/86	86
87.5 - 89.5					120/88	88
89.5 - 91.5					120/90	90
91.5 - 93.5					120/92	92
93.5 - 95.5					120/94	94
95.5 - 97.5					120/96	96
97.5 - 99.5					120/98	98
99.5 - 101.5					120/100	100

					204	
						494
						485
						472
						462
						448
						437
						425
						415
						403
						385
						368
						360
						351
						332
						313



**NOTE: Insert blocks are supplied in halves. Two insert blocks require to seal each cable/pipe.**

- The Company
- Why MCT Brattberg
- The Products
- Multiple Frames
- Planning the Packing Space
- Frames for Marine/Offshore
- Frames for Civil/Industry
- RGP Frames & Seals
- Blocks & Components
- Frame Installation Methods
- Packing Guides
- EMC Protection
- Deck & Bulkhead Glands
- SR Cable & Pipe Seals
- MSR Cable Glands
- X-Series Cable Transit
- Transit Planning Software